

Wastewater Pumps

DanPumps S-WP4 - 50 Hz

Product Applications

The DanPumps S-WP4 pump is specially designed for wastewater applications and offers high hydraulic efficiencies from 18-65 kW. It is suitable for unscreened wastewater from sewage plants and industries.

Design

The characteristics of our wastewater pumps are high quality, long lifetime, and user-friendly design. The DanPumps S-WP4 pump can be delivered as a dry, wet, or portable installation and with either a channel, vortex or B-tween impeller.

Materials

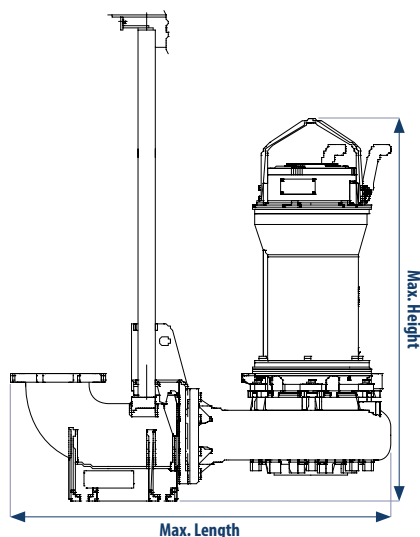
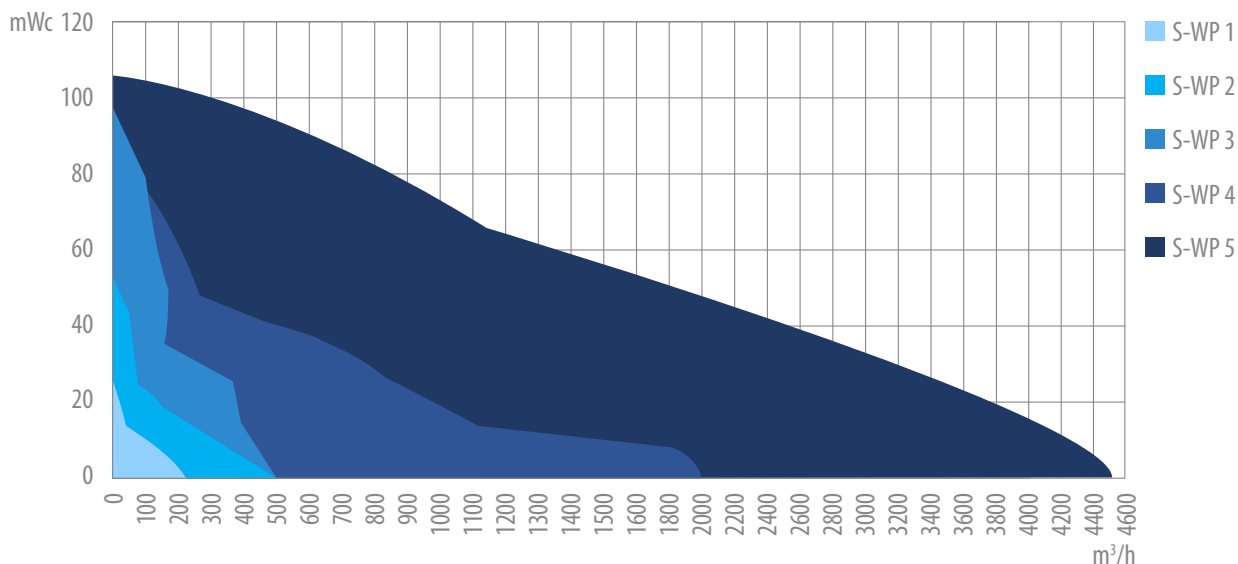
Pump Housing, base elbow, cartridge seal	Grey cast iron	GJL-250 (GG25)	A-48 Class35
Impeller (cast iron) adapter	Ductile cast iron	GJS-400-15 (GGG-40)	A536 GR 65-45
Option: Stainless steel impeller	Stainless cast steel	W.Nr.1.4401	AISI 316
Shaft	Stainless steel	W.Nr.1.4057	AISI 431
Seal sleeve, screws	Stainless steel	W.Nr.1.4301	AISI 304
Coolant	30% Propylene glycol	70% water	
O-rings	Nitrile	NBR	
Oil	Mobil DTE 24	Premium Hydraulic	
Mechanical seal	Media side: SIC/SIC	Cooling side: SIC/Carbon	
Motor	Siemens	EFF 1	Class H

Operation Standards:

- Connections up to DN300.
- Flow rate up to 1200 m³/h.
- Overheating and moisture protection.
- Channel, vortex and B-tween impellers in the same volute.
- Double mechanical cartridge seal.
- High-efficient motors.
- Long lifetime due to accurate balancing.
- Customized solutions and a modular system.
- All DanPumps S-WP pumps can be fitted with a closed cooling jacket.
- Easy maintenance.
- Adjustable wear ring.

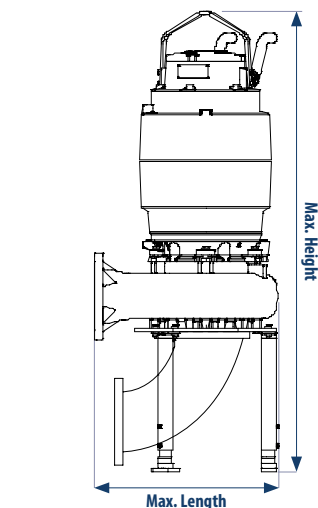


Performance Curves - Complete DanPumps S-WP1 to DanPumps S-WP5 Range - 50 Hz

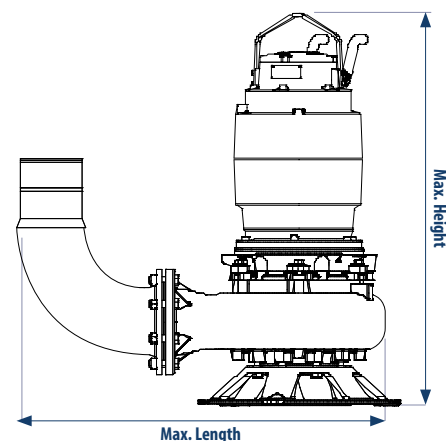


DanPumps S-WP4 - Wet Pit Installation

Please note cooling jacket is an optional choice.



DanPumps S-WP4 - Dry Pit Installation



DanPumps S-WP4 - Portable Installation

Type	kW P2	Rpm	Inlet in mm	Outlet flang
S-WP4-100-4	18.5	1465	80	DN100
S-WP4-100-4	22	1465	80	DN100
S-WP4-100-4	30	1465	80	DN100
S-WP4-100-4	37	1465	80	DN100
S-WP4-100-4	45	1465	80	DN100
S-WP4-100-4	55	1465	80	DN100
S-WP4-100-4	65	1475	80	DN100
S-WP4-150-4	18.5	1465	150	DN150
S-WP4-150-4	22	1465	150	DN150
S-WP4-150-4	30	1465	150	DN150
S-WP4-150-4	37	1465	150	DN150
S-WP4-150-4	45	1465	150	DN150
S-WP4-150-4	55	1465	150	DN150
S-WP4-150-4	65	1475	150	DN150
S-WP4-200-4	18.5	1465	200	DN200
S-WP4-200-4	22	1465	200	DN200
S-WP4-200-4	30	1465	200	DN200
S-WP4-200-4	37	1465	200	DN200
S-WP4-200-4	45	1465	200	DN200
S-WP4-200-4	55	1465	200	DN200
S-WP4-200-4	65	1475	200	DN200

Type	kW P2	Rpm	Inlet in mm	Outlet flang
S-WP4-200-6	18.5	970	200	DN200
S-WP4-200-6	22	975	200	DN200
S-WP4-200-6	30	975	200	DN200
S-WP4-200-6	37	975	200	DN200
S-WP4-250-6	18.5	970	250	DN250
S-WP4-250-6	22	975	250	DN250
S-WP4-250-6	30	975	250	DN250
S-WP4-250-6	37	975	250	DN250
S-WP4-250-4	18.5	1465	250	DN250
S-WP4-250-4	22	1465	250	DN250
S-WP4-250-4	30	1465	250	DN250
S-WP4-250-4	37	1465	250	DN250
S-WP4-250-4	45	1465	250	DN250
S-WP4-250-4	55	1465	250	DN250
S-WP4-250-4	65	1475	250	DN250
S-WP4-300-6	18.5	970	300	DN300
S-WP4-300-6	22	975	300	DN300
S-WP4-300-6	30	975	300	DN300
S-WP4-300-6	37	975	300	DN300
S-WP4-300-6	45	975	300	DN300
S-WP4-300-8	15	725	300	DN300
S-WP4-300-8	18.5	725	300	DN300

Type	Installation	Max. Height	Max. Width	Max. Length
S-WP4-100	Wet Pit	1224 mm	527 mm	1153 mm
	Dry Pit	1811 mm	537 mm	690 mm
	Portable	1385 mm	527 mm	732 mm
S-WP4-150	Wet Pit	1228 mm	540 mm	1242 mm
	Dry Pit	1848 mm	550 mm	687 mm
	Portable	1348 mm	596 mm	857 mm
S-WP4-200	Wet Pit	1263 mm	540 mm	428 mm
	Dry Pit	1325 mm	572 mm	725 mm
	Portable	1423 mm	600 mm	1202 mm
S-WP4-250	Wet Pit	1974 mm	654 mm	521 mm
	Dry Pit	2078 mm	668 mm	806 mm
	Portable	1506 mm	654 mm	1550 mm
S-WP4-300	Wet Pit	1527 mm	785 mm	521 mm
	Dry Pit	2116 mm	861 mm	1018 mm
	Portable	1555 mm	1000 mm	1749 mm