

Industrial / Marine Pumps

DanPumps S-IP & S-MP

Product Applications

Danpumps offers a wide range of pumps for any application within the marine, industrial and chemical industries.

Design

The pump is based on a unique hydraulic design combining maximum efficiency with the highest standards. The pump is based on design according to ISO 2858.

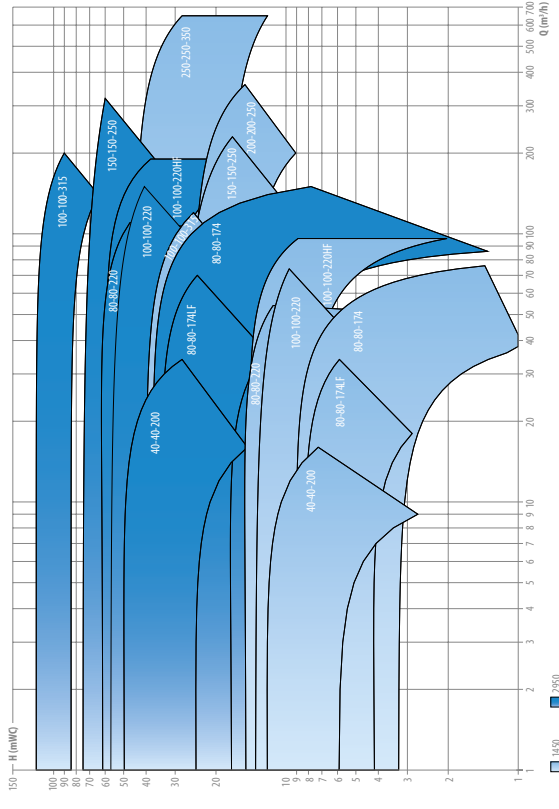
Materials	S-MP	S-IP
Pump house	Bronze/RG10	Cast iron
Back plate	Bronze/RG10	Cast iron
Impeller	Ni.Al.Bronze	Ni.Al.Bronze
Wear rings	Ni.Al.Bronze	Ni.Al.Bronze
Shaft	AISI 329	AISI 329

Operation standards:

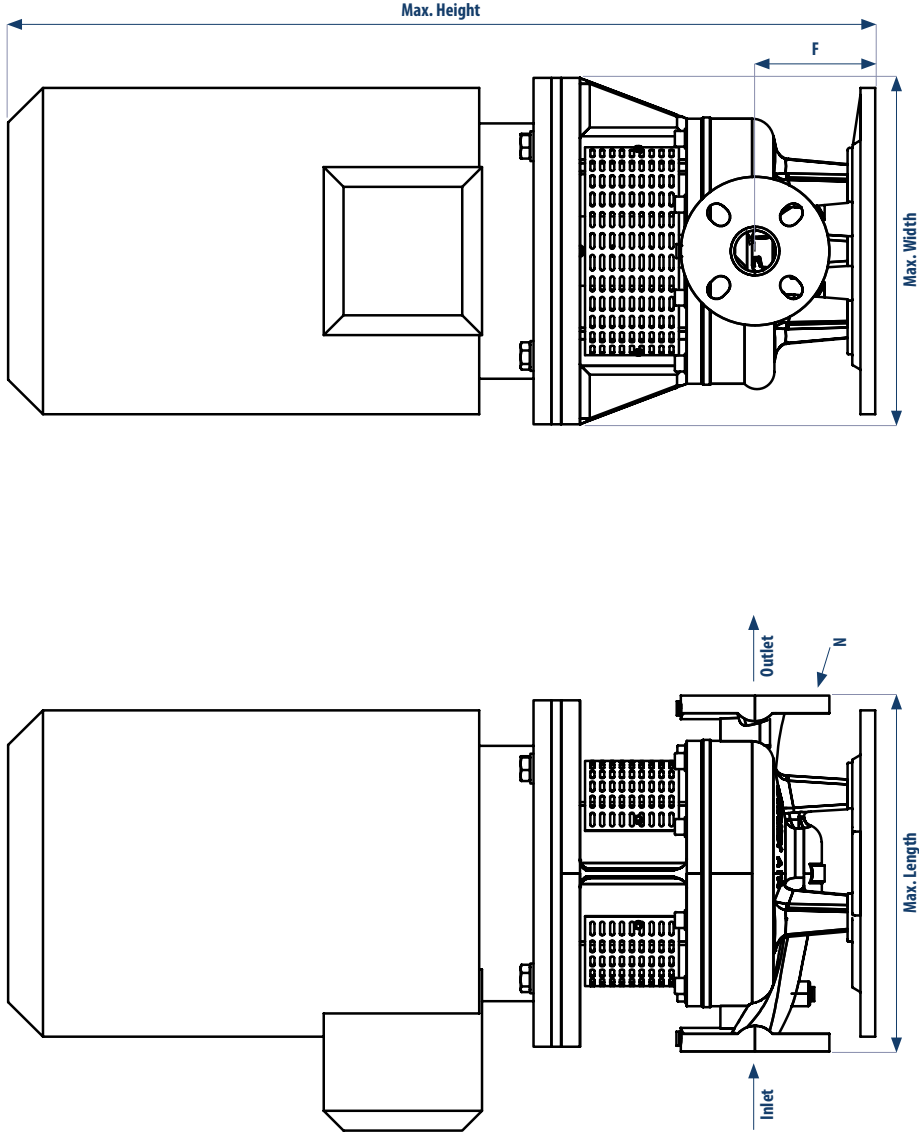
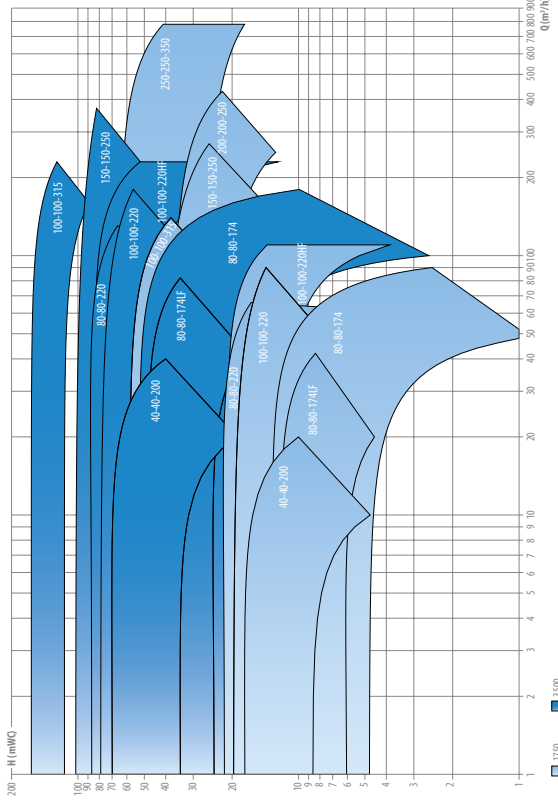
- The volute and the impeller design ensures high efficiency
- Accurate balancing ensures a very low noise level
- Flexible design
- Designed for easy maintenance
- Long lifetime
- Cost optimal
- Connections flanges according to EN1092-1
- Standard colour, Blue RAL 5010. Available in other colours



Performance Curves - Complete DanPumps-S-MP/S-IP - 50 Hz



Performance Curves - Complete DanPumps-S-MP/S-IP - 60 Hz



Type	F	Max. Height	Max. Width	Total Length	E (EN1092-1)
S-MP/S-IP 40-40-200	122 mm	821 mm	350 mm	360 mm	DN32 + Dn40, PN10/PN16
S-MP/S-IP 80-80-174	140 mm	965 mm	350 mm	400 mm	DNG57-80/-100, PN10/PN16
S-MP/S-IP 80-80-220	141 mm	1004 mm	350 mm	450 mm	DNG57-80/-100, PN10/PN16
S-MP/S-IP 100-100-220	175 mm	1058 mm	443 mm	500 mm	DN100, PN10/PN16
S-MP/S-IP 100-100-315	157 mm	1139 mm	520 mm	630 mm	DN100, PN10/PN16