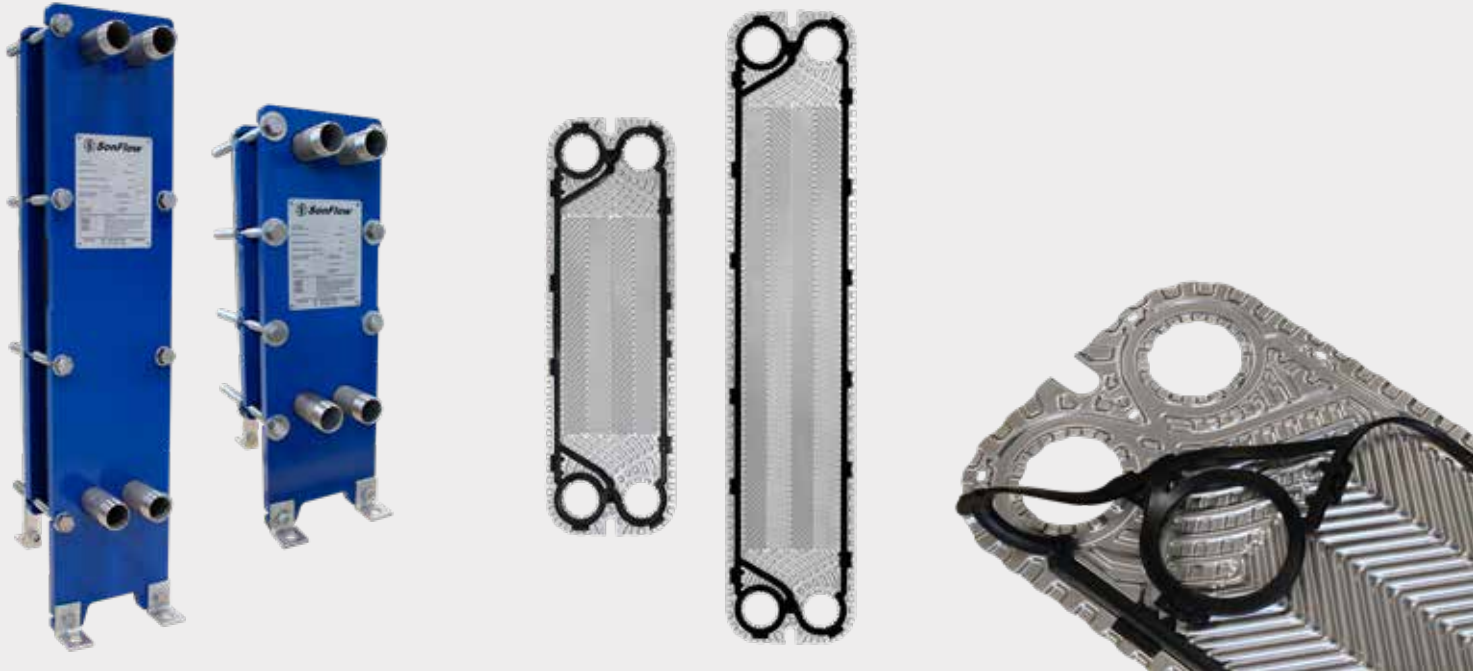




SonFlow

Plate Heat Exchanger SF30 Series

SF31 & SF33



SonFlow offers a wide range of Plate Heat Exchangers and is the ideal choice suitable for a wide variety of applications across numerous markets segments. SonFlow Plate Heat Exchanger SF30 series will cover many duties in a single pass solution.

Typical applications:

- HVAC-R
- General industry
- Food & beverage
- Sugar industry
- Chemical industry
- Marine
- Mining
- Data centres

Features:

Every detail is carefully designed to ensure optimal performance, reduced maintenance costs and decreased downtime:

- Compact design
- High flexibility
- Gentle product handling

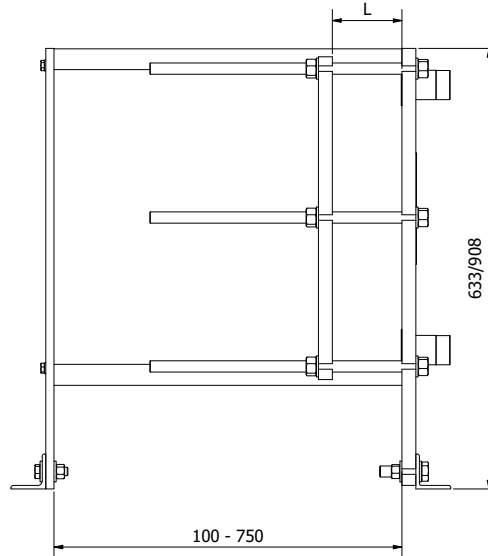
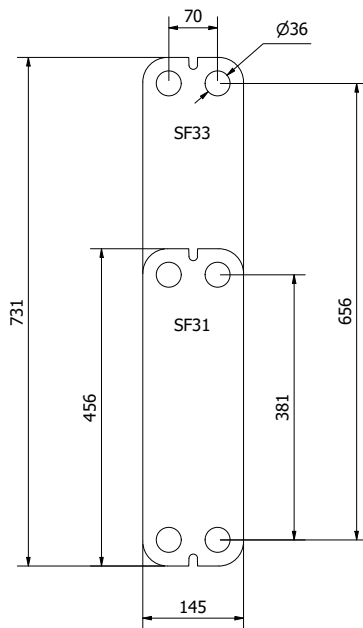
- Design pressure up to 25 bar
- Operating temperature: up to 180° C
- Leak chamber
- Fixed bolt head
- Lifting lug
- Lining
- Lock washer

Benefits:

- Lower operating costs
- Cost-effective
- Easy assembly
- Increased energy efficiency
- Easy cleaning
- Dead spots, that cause corrosion and fouling are eliminated



SonFlow



Dimensions in mm

Design pressure:

- Painted frames: 1.0/1.6/2.5 MPa (145/232/362 PSI)
- Stainless steel: 1.0/1.6 MPa (145/232 PSI)

Construction standards:

- EN13445
- ASME sec VIII, Div. 1

Frame:

- Painted frame, RAL 5010 (available in other colours)
- Stainless steel frame

Connections:

- DN 25/1" dairy pipe or union
- 1¼" threaded pipe BSP/NPT, stainless steel or titanium
- 1.5" threaded pipe BSP/NPT, stainless steel or titanium
- According to all known standards

Plate material:

- AISI 304/316 and titanium
- Other materials available on request

Gaskets:

- Hang-on gaskets
- Materials: NBR, EPDM and Viton
- Other materials available on request

Accessories:

- Drip tray
- Insulation jackets
- Safety cover
- Assembling spanner
- Foundation feet

03.2024

SonFlow A/S reserves the rights to change the specifications without prior notification.