

DanPumps S-IP and S-MP Pumps

Industrial and Marine Pumps for safe operations and easy maintenance





DanPumps S-IP & S-MP

Product Applications

Danpumps offers a wide range of pumps for any application within the marine, industrial and chemical industries.

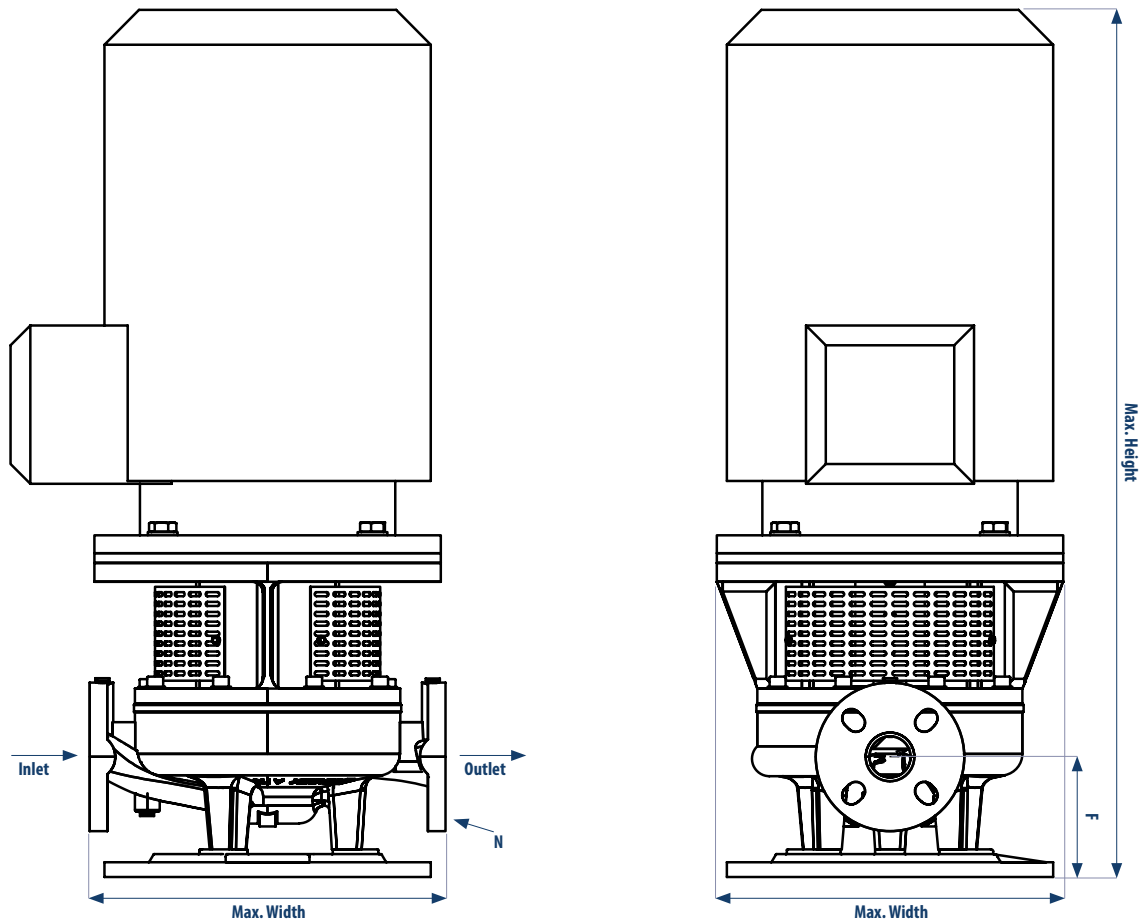
Design

The pump is based on a unique hydraulic design combining maximum efficiency with the highest standards. The pump is based on design according to ISO 2858.

Operation Standards

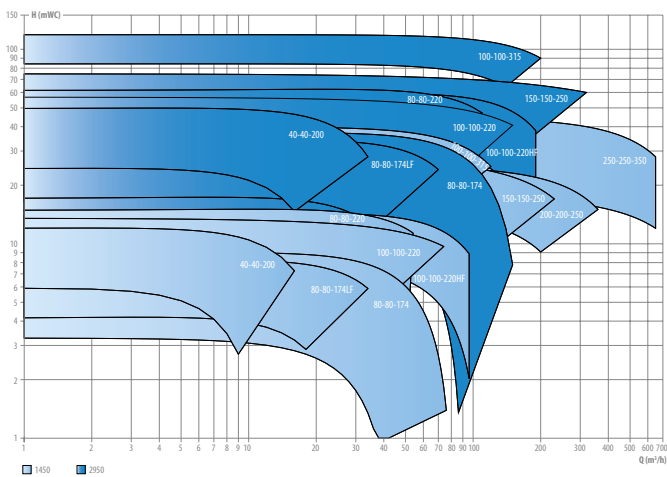
- The volute and the impeller design ensures high efficiency
- Accurate balancing ensures a very low noise level
- Flexible design
- Designed for easy maintenance
- Long lifetime
- Cost optimal
- Connections flanges according to EN1092-1
- Standard colour, Blue RAL 5010. Available in other colours

Materials	S-MP	S-IP
Pump house	Bronze/RG10	Cast iron
Back plate	Bronze/RG10	Cast iron
Impeller	Ni.Al.Bronze	Ni.Al.Bronze
Wear rings	Ni.Al.Bronze	Ni.Al.Bronze
Shaft	AISI 329	AISI 329

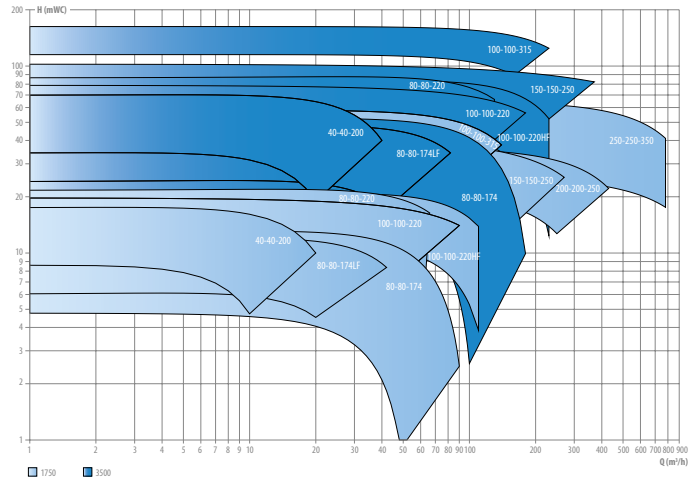


Type	F	Max. Height	Max. Width	Total Length	E (EN1092-1)
S-MP/S-IP 40-40-200	122 mm	821 mm	350 mm	360 mm	DN32 + Dn40, PN10/PN16
S-MP/S-IP 80-80-174	140 mm	965 mm	350 mm	400 mm	DN65/-80/-100, PN10/PN16
S-MP/S-IP 80-80-220	141 mm	1004 mm	350 mm	450 mm	DN65/-80/-100, PN10/PN16
S-MP/S-IP 100-100-220	175 mm	1058 mm	443 mm	500 mm	DN100, PN10/PN16
S-MP/S-IP 100-100-315	157 mm	1139 mm	520 mm	630 mm	DN100, PN10/PN16

Performance Curves - Complete DanPumps-S-MP/S-IP - 50 Hz



Performance Curves - Complete DanPumps-S-MP/S-IP - 60 Hz





DanPumps S-IP & S-MP-2L

Product Applications

Danpumps offers a wide range of pumps for any application within the marine sector as well as industrial and chemical process plants.

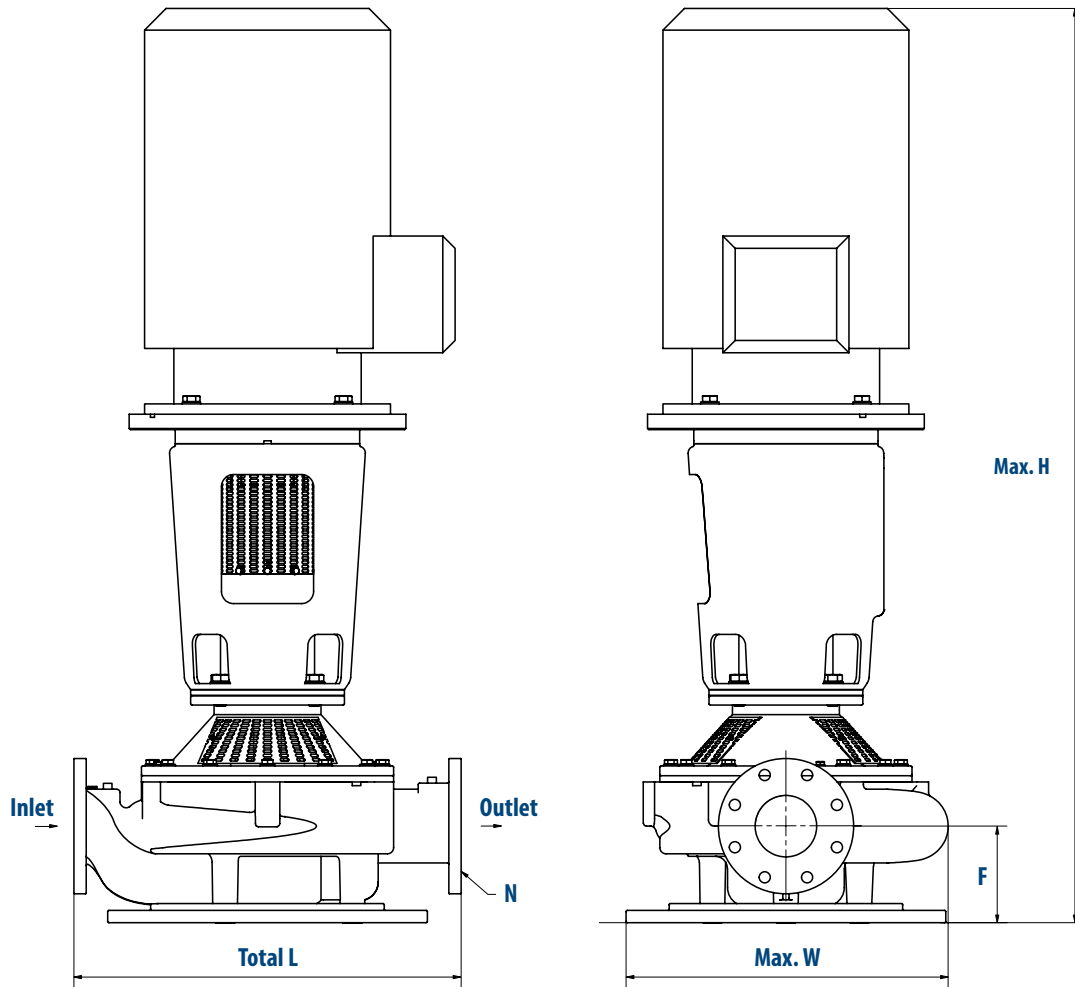
Design

The pump is based on a unique hydraulic design, combining maximum efficiency with the highest standards. The pump is based on the design according to ISO 2858.

Materials	S-MP	S-IP
Pump house	Bronze/RG10	Cast iron
Back plate	Bronze/RG10	Cast iron
Impeller	Ni.Al.Bronze	Ni.Al.Bronze
Wear rings	Ni.Al.Bronze	Ni.Al.Bronze
Shaft	AISI 329	AISI 329

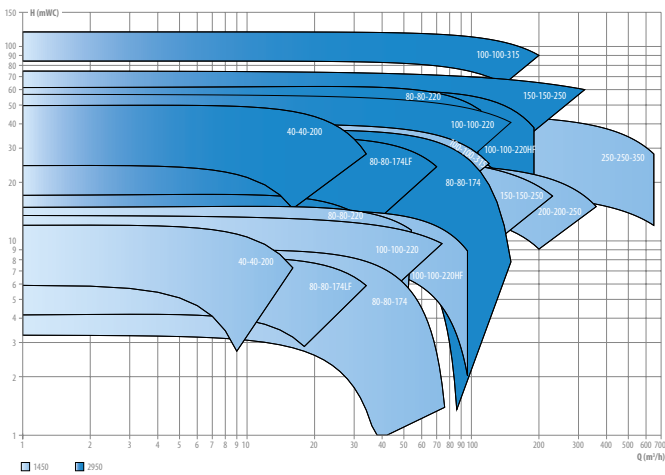
Operation Standards

- Sturdy design for demanding duties
- Inline pump, easy to remove from rotatory parts - top pull-off principle
- Designed with double bearings between the motor and impeller
- The volute and the impeller design ensures high efficiency
- Low noise level
- Flexible design
- Designed for easy maintenance
- Long lifetime
- Cost optimal
- Connections flanges according to EN1092-1
- Standard colour, Blue RAL 5010. Available in other colours

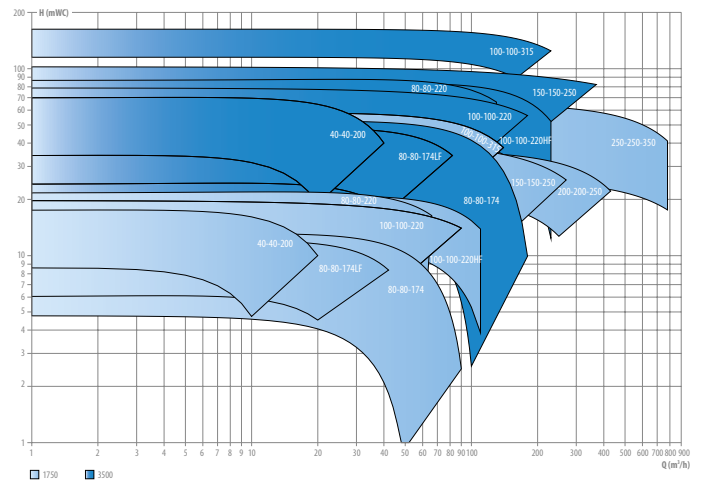


Type	F	Max. Height	Max. Width	Total Length	E (EN1092-1)
S-MP/S-IP 100-100-315-2L	157 mm	1390 mm	630 mm	630 mm	DN100, PN10
S-MP/S-IP 150-150-250-2L	236 mm	1794 mm	547 mm	710 mm	DN150, PN10
S-MP/S-IP 200-200-250-2L	281 mm	1624 mm	600 mm	900 mm	DN200, PN10
S-MP/S-IP 250-250-350-2L	336 mm	2043 mm	705 mm	1000 mm	DN250, PN10

Performance Curves - Complete DanPumps S-MP/S-IP - 50 Hz



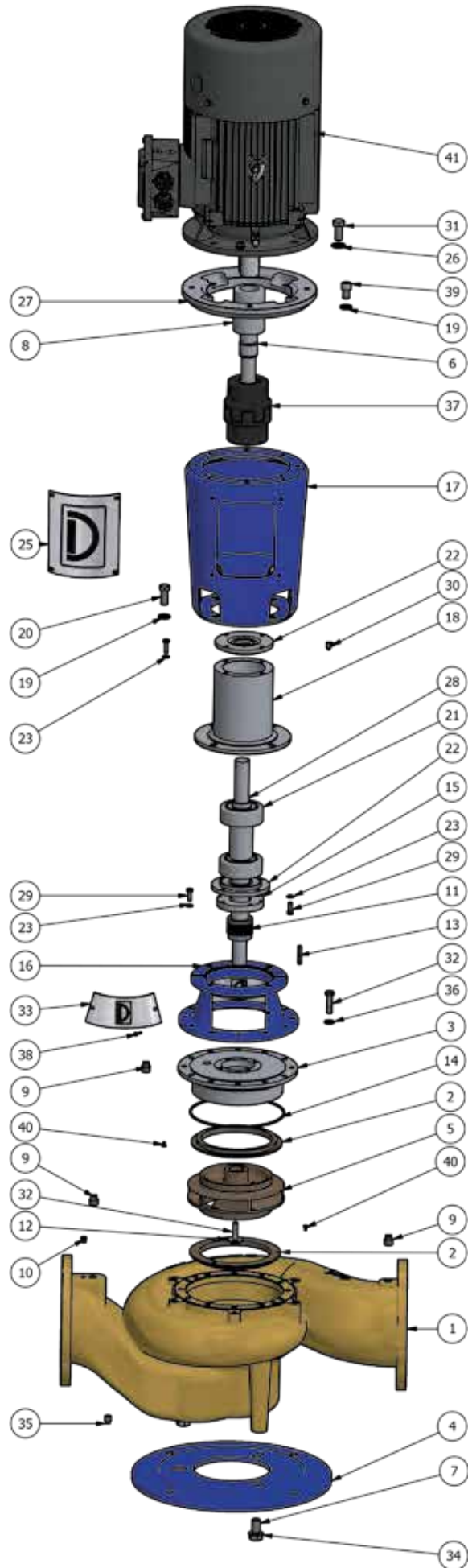
Performance Curves - Complete DanPumps S-MP/S-IP - 60 Hz



Example: 250-250-350 Pump



Example: 80-80-174 Pump



About SonFlow A/S

DanPumps A/S changed its company name to SonFlow A/S in 2019 and started manufacturing plate heat exchangers - it signalizes new investments and new missions as we want to focus on process technology, energy and the environment. SonFlow A/S works hard to ensure the philosophy of innovation and advancement by delivering best in quality products and good service.

We strive our best to safeguard the environmental processes and adapt modern friendly approaches in product design and production processes. DanPumps centrifugal pumps are still being marketed under the brand name DanPumps.



Plate heat exchangers as a complementary product

SonFlow A/S offers plate heat exchangers as a complementary product to DanPumps centrifugal pumps, which opens new markets. The engineering team of SonFlow is developing new designs and customized process equipment's based on many years of experience.

We are ISO 9001 certified and provide plate heat exchangers and pumps to all industries - we are continually expanding and diversify the business responding with innovative high-quality products and services.

Manufacture of plate heat exchangers and pumps

SonFlow A/S is specialized in manufacturing centrifugal pumps within all industries and plate heat exchangers to use in thermal processes.

SonFlow offers a broad range of products for different applications - you can rely on SonFlow specialists to take a professional approach to your specific challenge and solve difficult pumping and plate heat exchanger applications.



Aage Søndergaard Nielsen
Founder & CEO