

Sludge Pumps

DanPumps S-WS20 and -WS30, 50 Hz

Product Applications

The DanPumps S-WS20 and -WS30 is a high-efficient lightweight sludge pump built in aluminium, which ensure easy handling and installation. The DanPumps S-WS20 and -WS30 is suitable for pumping sludge and water mixed with solids, and is the ideal choice for plug-in operations and is ready for use when delivered on site.

Design

The low weight and compact design ensure convenient transport, handling and installation.

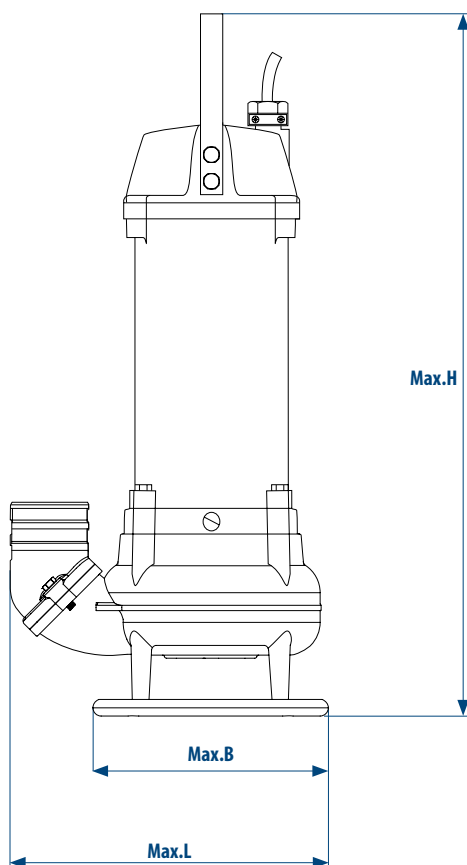
Operation standards

- Max. submergence: 20 meter
- Max. temperature of pumped media at maximum power input and continuous duty: 40°C
- Max. medium density: 1100 kg/m³
- pH of the pumped medium: 5-8
- Motor protection: Build-in thermal switches in the stator windings (140°C, ±5) connected to build-in contactor
- Reliable and wear resistant

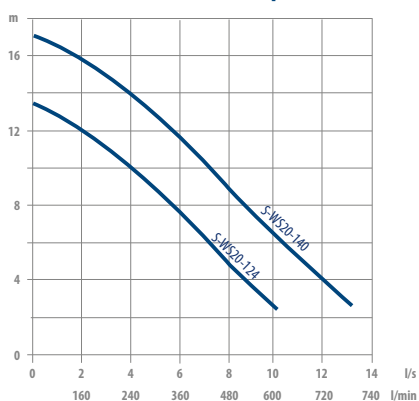


Materials

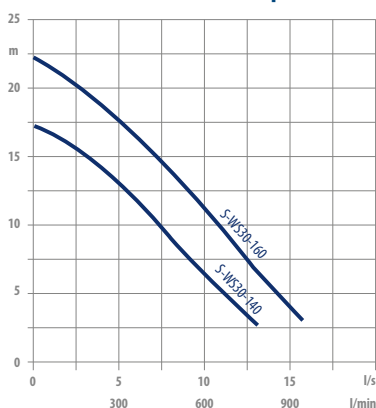
| | | | |
|------------------------|--|--------------------------------------|------------------------|
| Motor housing | Aluminium | | |
| Volute and Impeller | Nodular cast iron | 1563:ENGJS-HB150 | ASTM A 536-80:60-40-18 |
| Handle and Fasteners | Stainless steel | 10088: X5CrNi18-10 (W.Nr. 1.4301) | AISI 304 |
| Shaft | Stainless steel | 10088:X20Cr13 (W.Nr. 1.4057) | AISI 420 |
| O-rings | NBR | | |
| Double Mechanical Seal | In oil bath | | |
| Shaft Seal | Primary seal: SIC/SIC Secondary seal: Stainless steel / Carbon | | |
| Bearings | Upper bearing: Single-row deep groove ball bearing Lower bearing: Double angular contact ball bearing | | |
| Cable | 20 m | | |



Performance Curve - DanPumps S-WS20 - 50 Hz



Performance Curve - DanPumps S-WS30 - 50 Hz



| Type - 50 Hz | kW P2 | Rpm | Outlet flange | Dimensions in mm | | | Voltage (V) | Current (A) | Weight (kg) |
|--------------|-------|------|---------------------|------------------|--------|--------|-------------|-------------|-------------|
| | | | | Max. H | Max. W | Max. L | | | |
| S-WS20-124 | 2,0 | 2870 | 3" Hose Connection* | 700 | 207 | 320 | 3 x 230/400 | 7,3 / 4,2 | 29 |
| S-WS20-140 | 2,0 | 2870 | 3" Hose Connection* | 700 | 207 | 320 | 3 x 230/400 | 4,2 / 7,3 | 29 |
| S-WS30-140 | 3,3 | 2870 | 3" Hose Connection* | 700 | 207 | 320 | 3 x 230/400 | 12 / 6,9 | 31 |
| S-WS30-160 | 3,3 | 2870 | 3" Hose Connection* | 700 | 207 | 320 | 3 x 230/400 | 12 / 6,9 | 31 |

* Optional discharge connections: 2½", 4" connections and 2½", 3", 4" B.S.P. threaded connections.
Option: Float switch.